

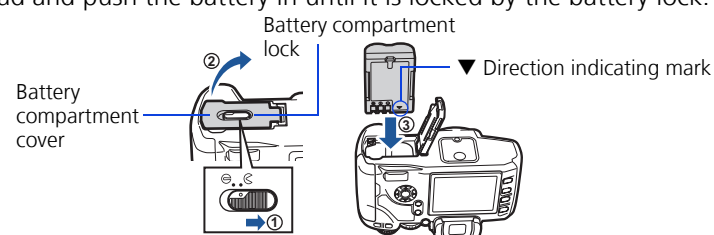
It is strongly recommended that you follow these step-by-step instructions to set up and quickly begin using your new Digital Camera.

STEP

3 LOADING THE BATTERY

a. Push the battery compartment lock slightly towards ① and slide the battery compartment cover towards ②.

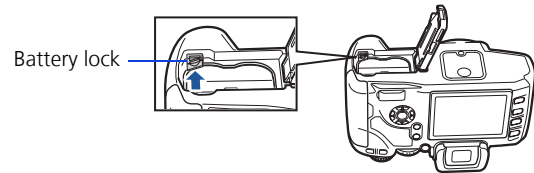
b. Load and push the battery in until it is locked by the battery lock.



c. Close the battery compartment cover and slide the battery compartment lock in the direction of ③.

Unloading the battery

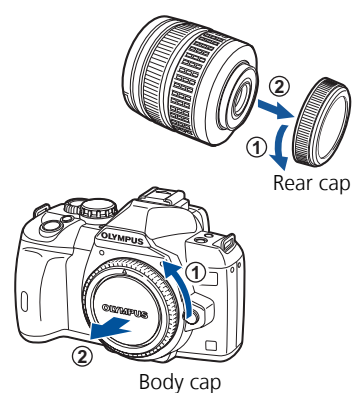
Press the battery lock to unlock and remove the battery.



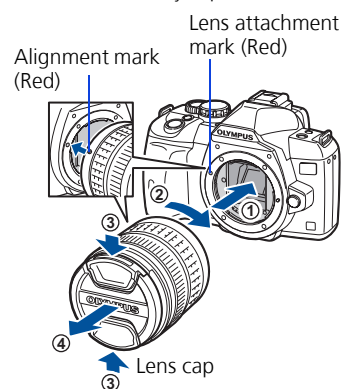
STEP

6 ATTACH A LENS

a. Remove the body cap from the camera and the rear cap from the lens.



b. Align the lens attachment mark (red) on the camera with the alignment mark (red) on the lens, then insert the lens into the camera's body. Rotate the lens clockwise until you hear it click.



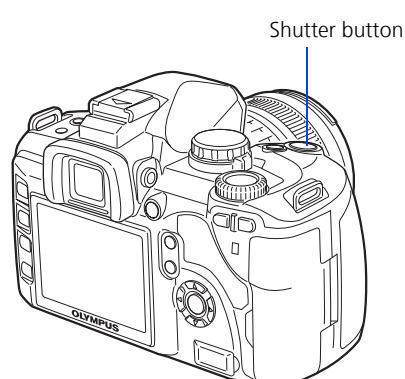
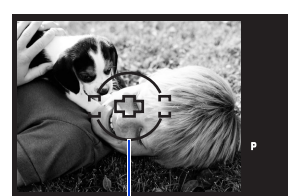
c. Remove the lens cap.

STEP

9 TAKING A PICTURE

a. Place the AF frame on the subject while viewing through the viewfinder.

b. Press and hold the shutter button halfway to lock the focus and exposure, then press the shutter button completely to take the picture.

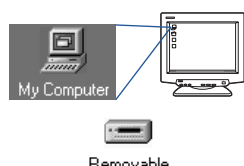


STEP

12 VERIFY CAMERA CONNECTION

WINDOWS:

a. From the desktop ("Start" menu for XP), open "My Computer".



b. Verify that the "Removable Disk" icon representing the camera is displayed.

MACINTOSH:

a. Verify that the "NO_NAME" icon representing the camera is displayed.



• The above steps confirm that the camera has been installed correctly. You can transfer your images immediately using the standard drag and drop procedure, or enhance your experience using OLYMPUS Master software (included).

STEP

1 UNPACK THE BOX CONTENTS

Provided contents may differ depending on the camera kit. Make sure you have all the items shown in the provided contents list (printed separately).

REVIEW THE DOCUMENTATION

Quick Start Guide (this document)
Getting started with your digital camera.

Quick Reference Guide (reverse side of this document)
Quick guide to using common features and functions.

Instruction Manual
Detailed instructions on all camera features and functions.

Software Installation Guide (separate document on OLYMPUS Master CD-ROM)
Detailed instructions on installing the OLYMPUS Master software.

System chart

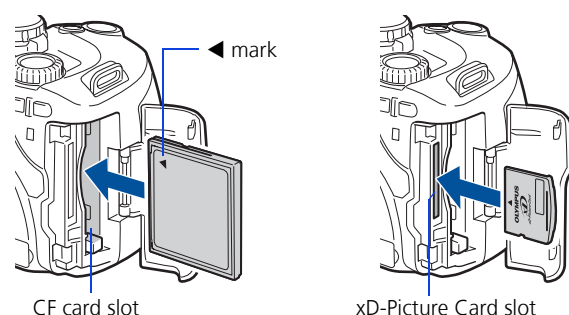
STEP

4 INSERT THE MEMORY CARD

This camera can use a CompactFlash, Microdrive or xD-Picture Card. These cards are optional.

a. Insert the card with the contact area facing in the direction shown in the illustration.

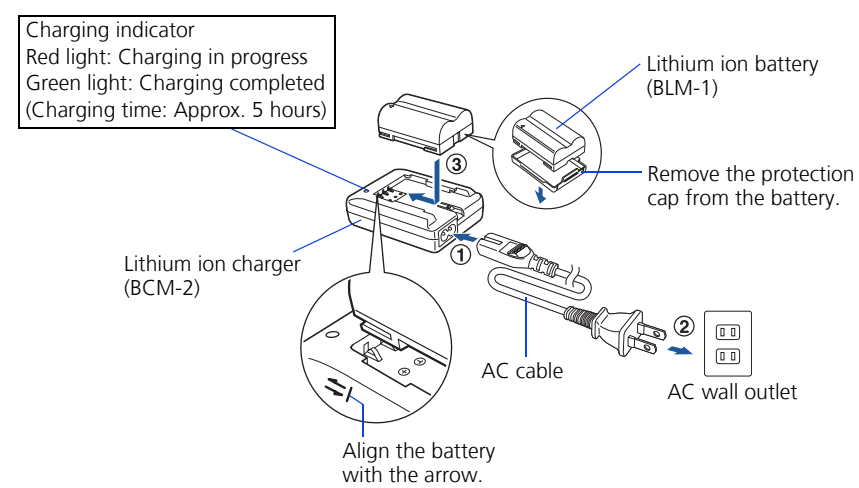
b. Close the card cover.



STEP

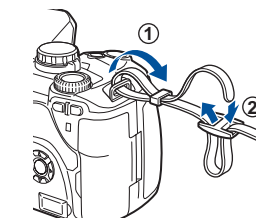
2 CHARGING THE LITHIUM ION BATTERY

Charge the Lithium ion battery using the provided charger. The Lithium ion battery is not fully charged when purchased. Before use, be sure to charge the Lithium ion battery.

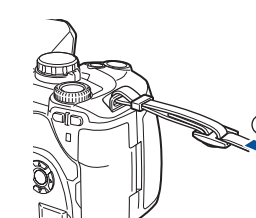


STEP

5 ATTACH THE STRAP



a. Thread the strap as indicated by the arrows (①, ②).



b. Lastly, pull the strap tight making sure that it is fastened securely (③).

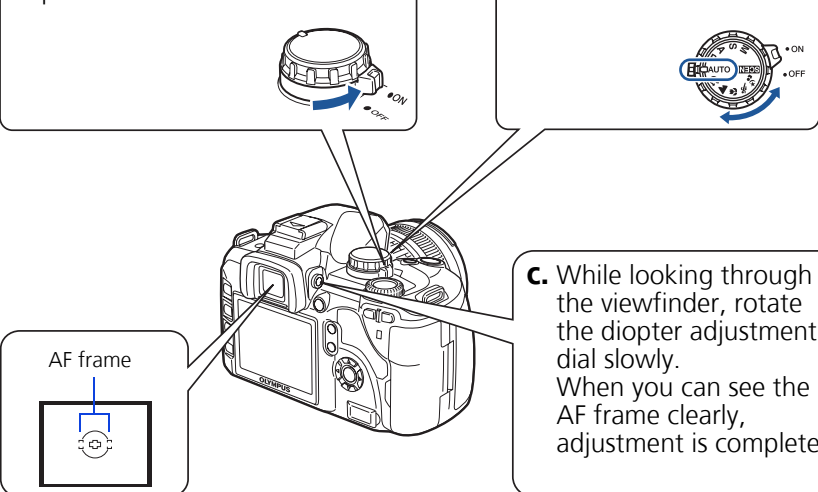
c. Attach the other end of the strap to the other eyelet in the same way.

STEP

7 TURN ON THE CAMERA

a. Set the power switch to **ON**. To turn off the power, set the power switch to **OFF**.

b. Set the mode dial to **AUTO**.



c. While looking through the viewfinder, rotate the diopter adjustment dial slowly. When you can see the AF frame clearly, adjustment is complete.

STEP

8 SET THE DATE AND TIME

a. With the camera on, press the **MENU** button.

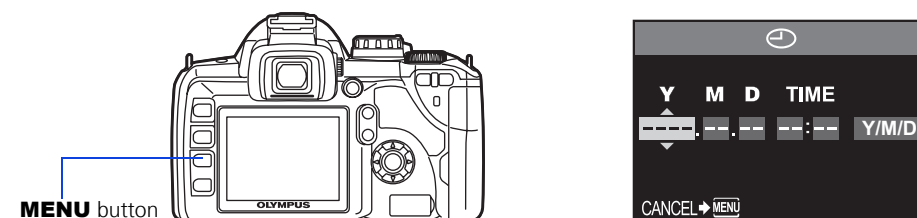
b. Use \leftarrow \rightarrow to select [T2] tab, then press \leftarrow . Use \leftarrow \rightarrow to select [E], then press \leftarrow .

c. Use \leftarrow \rightarrow to set the year, then press \leftarrow .

d. Use \leftarrow \rightarrow to set each item and press \leftarrow to move to the next item.

e. Use \leftarrow \rightarrow to select the date format.

f. Press the \leftarrow button when you have finished entering the date and time.



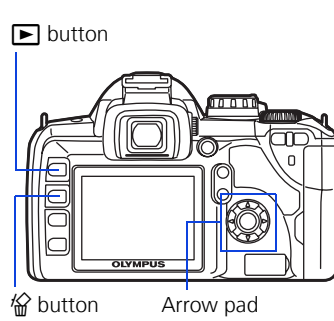
STEP

10 REVIEWING AND ERASING A PICTURE

a. Press the \leftarrow button. The last picture taken is displayed.

b. Use the arrow pad to select images you want to view.

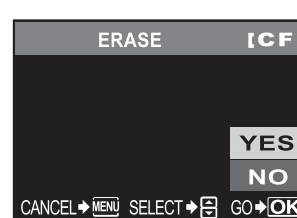
c. To return to the shooting mode, press the shutter button halfway.



ERASING A PICTURE

a. Select the picture you want to erase and press the \leftarrow button.

b. Use \leftarrow \rightarrow to select [YES], then press the \leftarrow button.

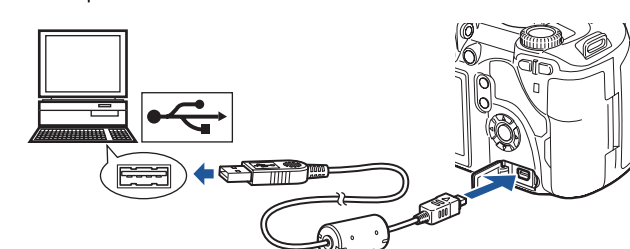


STEP

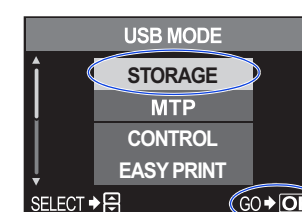
11 CONNECTING THE CAMERA TO A COMPUTER

a. Make sure the camera is off.

b. Connect the camera to the computer using the USB cable (included). Set the camera's power switch to **ON**.



c. Use \leftarrow \rightarrow to select [STORAGE]. Press the \leftarrow button.



STEP

13 ABOUT THE CD-ROM DISK

Now that you've mastered the basic functionality of your new Olympus Digital Camera, you are ready to begin exploring the possibilities that digital photography brings to your computer. Activities such as photo editing, printing and much more are only steps away!

OLYMPUS Master software: Download pictures from the camera, view, organize, retouch, e-mail and print your digital photos and movies and more!

STEP

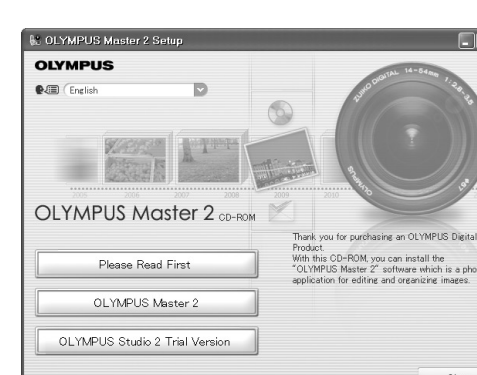
14 INSTALLING THE CAMERA SOFTWARE

a. Insert the OLYMPUS Master CD-ROM into your computer's CD-ROM drive.

b. For Windows: Select the display language and click the "OLYMPUS Master 2" button in the "OLYMPUS Master 2 Setup" window.

For Macintosh: Double-click the "Setup" icon.

c. Follow the on-screen instructions. For more details, click "Please Read First".



Please refer to the Quick Reference Guide on the reverse side of this sheet to familiarize yourself with the commonly used features and functions of your new Olympus Digital Camera.

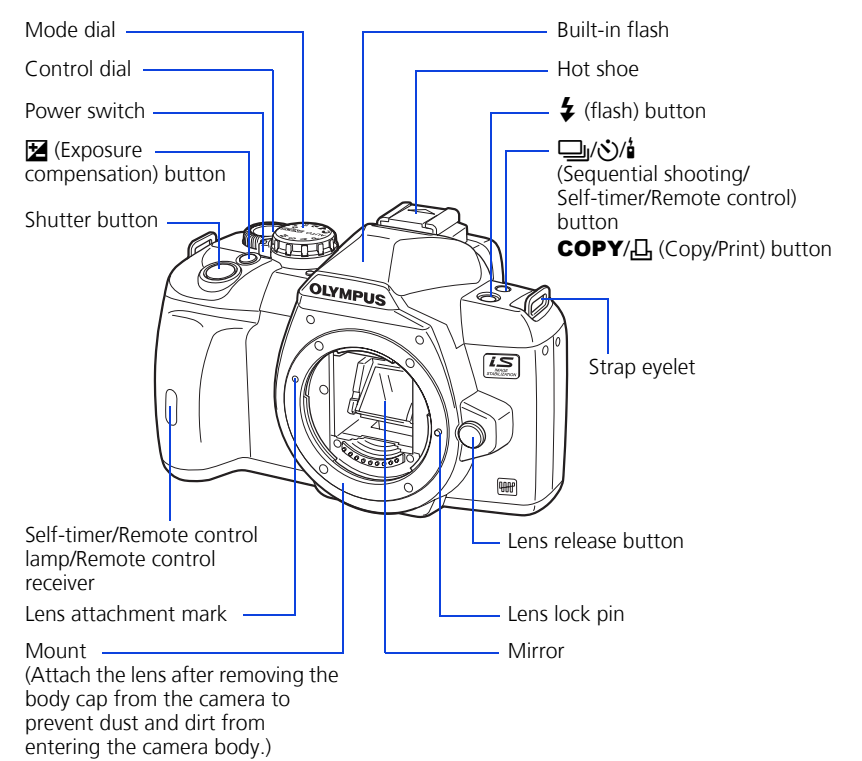
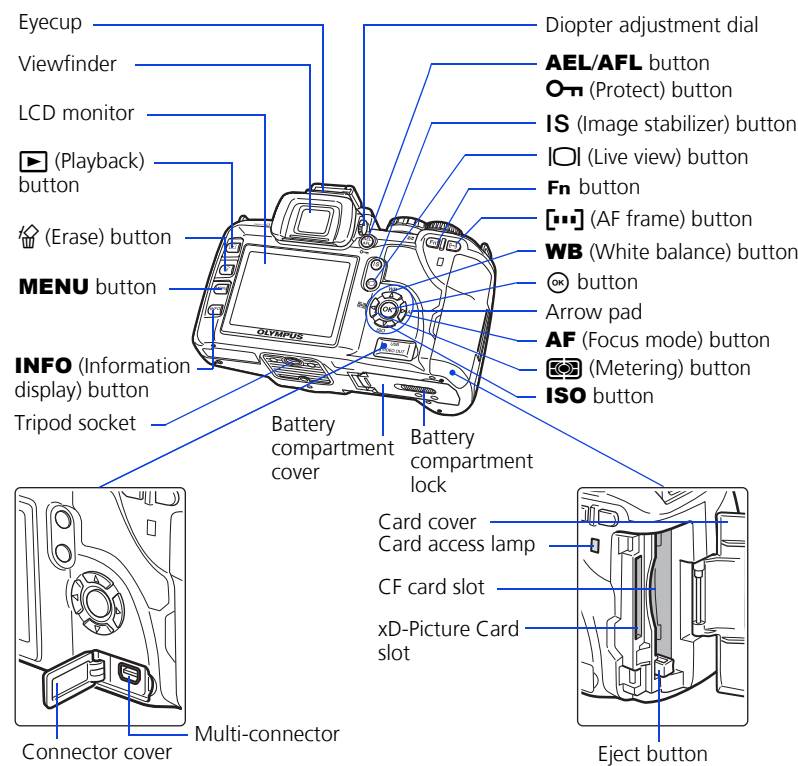
Quick Reference Guide

E-510

INDEX

1. Camera Diagram and Controls
2. How to Use the Mode Dial
3. How to Use the Buttons and Control Dial
4. How to Use the Autofocus
5. Image Quality Modes
6. Flash Modes
7. Viewing Pictures on a TV
8. How to Erase All Pictures
9. E-mailing a Picture
10. Printing a Picture

1 CAMERA DIAGRAM AND CONTROLS



2 HOW TO USE THE MODE DIAL

Easy shooting modes

AUTO Full-auto shooting

Allows you to take a picture if you simply press the shutter button.

PORTRAIT

Suitable for shooting a portrait-style image of a person.

LANDSCAPE

Suitable for shooting landscapes and other outdoor scenes.

MACRO

Suitable for taking close-up pictures (macro shooting).

SPORT

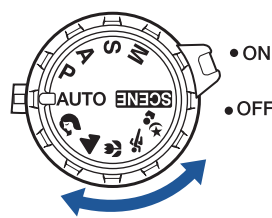
Suitable for capturing fast-moving action without blurring.

NIGHT & PORTRAIT

Suitable for shooting both the main subject and background at night.

SCENE

18 different shooting modes are available to suit a wide range of shooting situations. When the mode dial is set to this mode, the shooting mode selection screen is displayed.



Advanced shooting modes

P Program shooting

Allows you to shoot using an aperture and shutter speed that the camera sets.

A Aperture priority shooting

Allows you to set the aperture manually. The camera sets the shutter speed automatically.

S Shutter priority shooting

Allows you to set the shutter speed manually. The camera sets the aperture automatically.

M Manual shooting

Allows you to set the aperture and shutter speed manually.

3 HOW TO USE THE BUTTONS AND CONTROL DIAL

This camera has a variety of functions to enable you to optimize settings for various shooting conditions. You can set the functions using the buttons and the control dial while viewing the monitor.

(Sequential shooting/Self-timer/Remote control) button: Sets the Sequential shooting/Self-timer/Remote control.

(Exposure compensation) button: Sets the exposure compensation value.

(Flash) button: The flash pops up. Sets the flash mode.

IS (Image stabilizer) button: Turns on the image stabilizer.

[L+] (AF frame) button: Selects the AF frame.

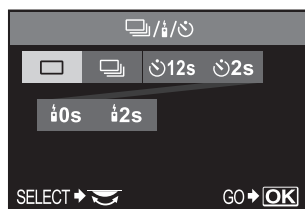
ISO button: Sets the ISO sensitivity.

(Metering) button: Selects the metering mode.

WB (White balance) button: Selects the white balance appropriate to the light source from the following options: auto, preset white balance, customized white balance or one-touch white balance.

AF (Focus mode) button: Selects the focus mode.

- Press the button for the function you want to set (direct button). The direct menu is displayed.
- Use the control dial to set.



Other buttons

(Live view) button:

Sets the live view mode. The subject is displayed on the LCD monitor. The display for shooting information can be turned off by pressing the **INFO** button.

(Erase) button: Erases unwanted images.

INFO (Information display) button:

Shooting: Displays shooting information on the control panel screen.
Playback: Displays shooting information or histogram of the recorded image. Each time this button is pressed, the information display is changed.

AEL/AFL button: Locks the exposure.

(Playback) button: Plays back images on the monitor.

MENU button: Displays the menu.

(Protect) button: Protects images from being accidentally erased.

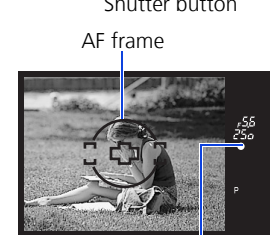
4 HOW TO USE THE AUTOFOCUS

a. While positioning the AF frame over the subject, press and hold the shutter button halfway.

Halfway down

Shutter button

b. The AF confirmation mark indicating that the focus and exposure are locked remains lit as long as the shutter button is kept depressed.



AF confirmation mark

All the way down

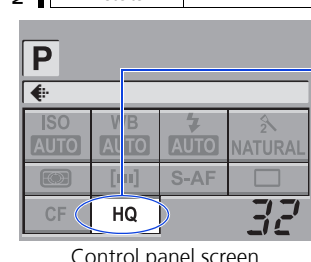
Shutter button

c. Press the shutter button completely to take the picture.

5 IMAGE QUALITY MODES

Your camera is equipped with multiple image quality modes, which determine the quality and image size of the pictures you take. Below is a general description of the commonly used modes. For a detailed description of all quality modes, refer to the Instruction Manual.

Application	Number of pixels	Quality (Compression)			
		Low compression 1/2.7	High compression 1/4	High compression 1/8	High compression 1/12
Select for the print size	3648 × 2736	SHQ		HQ	
	3200 × 2400				
	2560 × 1920				
For small-sized print and website	1600 × 1200				
	1280 × 960				
	1024 × 768				
	640 × 480				



You can set the image quality from the control panel screen displayed on the LCD monitor. Press the **(Info)** button and use the arrow pad to move the cursor to the image quality mode. Then turn the control dial to select the setting.

6 FLASH MODES

This camera features multiple flash modes. You can select the appropriate flash mode to the suit the situation. You can set the flash mode from the control panel screen displayed on the LCD monitor. Press the **(Info)** button and use the arrow pad to move the cursor to **[FLASH MODE]**. Then turn the control dial to select the setting.

AUTO

- Auto-flash - The camera decides if the flash is needed.
- Red-eye reduction flash - Reduces the incidence of red-eye by emitting pre-flashes to shrink pupil size before taking the picture.
- SLOW** - Slow synchronization + Red-eye reduction flash - This mode is for SLOW when you want to use slow synchronization, yet also reduce the red-eye phenomenon.
- SLOW** - Slow synchronization (1st curtain) - The flash fires right after the shutter fully opens.
- SLOW2** - Slow synchronization (2nd curtain) - 2nd curtain flash fires just before the shutter closes.
- Fill-in flash - The flash always fires. Suitable for taking subjects lit from behind by strong light.
- Flash off - The flash is turned off. Suitable for when flash photography is not permitted. In this mode, the flash can be used as an AF illuminator when it is raised.

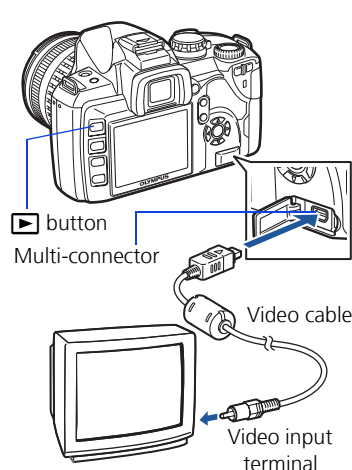
Manual flash: You can also set the amount of light (FULL, 1/4, 1/16, or 1/64) in the flash mode setting.

7 VIEWING PICTURES ON A TV

a. Turn the camera and TV off, and connect the video cable as illustrated.

b. Turn on the TV and set it to the video input mode. For details on switching to the video input mode, refer to the TV's instruction manual.

c. Turn the camera on and press the **(Playback)** button.



Note: If the pictures are not displayed, consult your TV manual to set up the video source.

8 HOW TO ERASE ALL PICTURES

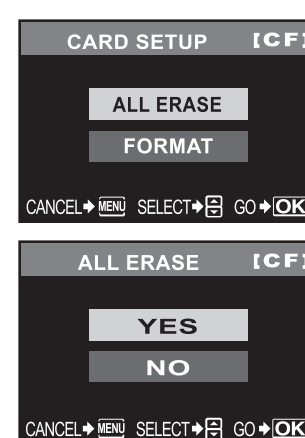
WARNING - PERFORMING THESE STEPS WILL DELETE ALL STORED PICTURES!

a. Press the **MENU** button. Use **(Left)** to select **[M]**, then press **(Info)**.

b. Use **(Left)** to select **[CARD SETUP]**, then press **(Info)**.

c. Use **(Left)** to select **[ALL ERASE]**, then press the **(Info)** button.

d. Use **(Left)** to select **[YES]**, then press the **(Info)** button.



9 E-MAILING A PICTURE

Using the OLYMPUS Master software (included), you can share your pictures with others by using the built-in e-mail feature.

After installing OLYMPUS Master, open the program and click "E-mail" in the toolbar. Select the image(s) to attach to the e-mail within the thumbnail area, and drag and drop them into the register area.

At this time, you can resize your pictures to make them more manageable for e-mail. This helps you stay within the e-mail capacity limitations set by your e-mail provider.

When finished, click the "Launch Mailer" button at the bottom of the window. Your default e-mail program will open, and the selected picture(s) will automatically be attached to a new message.

10 PRINTING A PICTURE

Using the OLYMPUS Master software (included), you can make prints of your pictures using your own photo printer.

After installing OLYMPUS Master, open the program, click "Print Menu" in the toolbar, and select "Photo Print". With "Photo Print", you can drag and drop the desired image and select a layout to print. "Index Print" allows you to print thumbnails with file information. For detailed instructions, please refer to the "Help" menu in the software.

Alternatively, you can print your pictures by connecting your PictBridge* compatible camera directly to a PictBridge* compatible printer. This permits fast, easy printing without using a computer.

*For detailed instructions on using PictBridge, please refer to your camera's Instruction Manual.

What you can do with OLYMPUS Master software

The provided software CD includes OLYMPUS Master software for viewing and editing images. Once installed, you can take advantage of viewing and editing your images. For information on how to use OLYMPUS Master software, see Help after installation.

Install OLYMPUS Master on your computer from the provided CD-ROM. OLYMPUS Master allows you to register as the camera's owner. Doing so will enable you to receive information on software or firmware upgrades from Olympus.



CONTACT INFORMATION

OLYMPUS IMAGING AMERICA INC.

3500 Corporate Parkway, P.O. Box 610, Center Valley, PA 18034-0610, U.S.A.

Technical Support (USA):

24/7 online automated help: <http://www.olympusamerica.com/E1>
Phone customer support: 1-800-260-1625 (toll free)

Our phone customer support is available from 8am - 10pm, (Monday to Friday) ET

E-mail: e-slpro@olympusamerica.com
Olympus software updates can be obtained at:
<http://www.olympusamerica.com/digital>

OLYMPUS